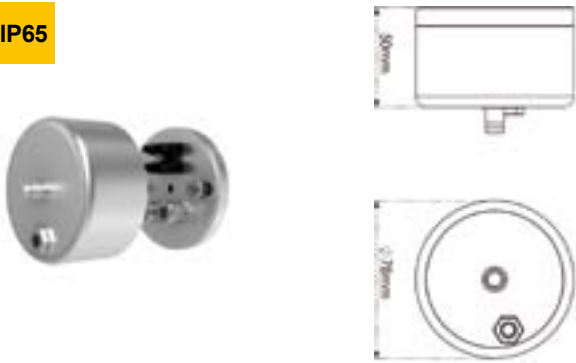


C-7850

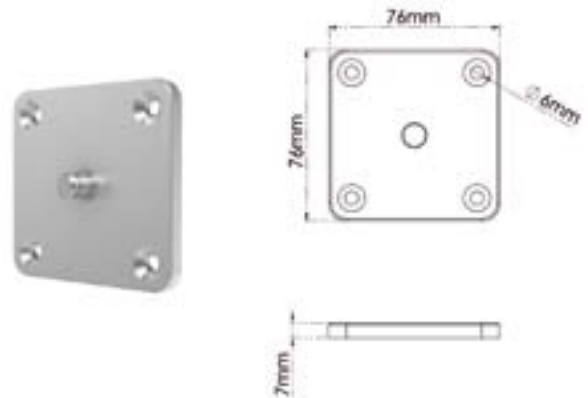
Mounting base for spot fixtures. Made of aluminium with anodize coating. Including hermetically sealed wiring compartment (IP65).

IP65



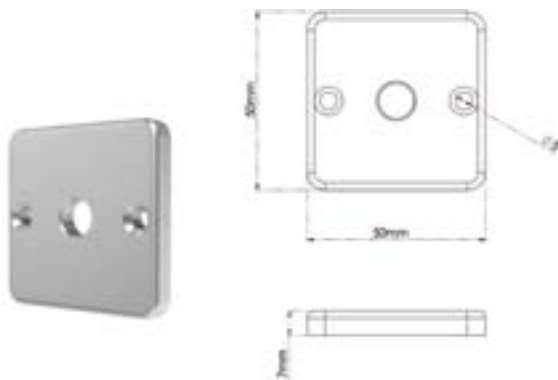
C-7676

Flat mounting base for spot fixtures. Made of aluminium with anodize coating.



C-5050

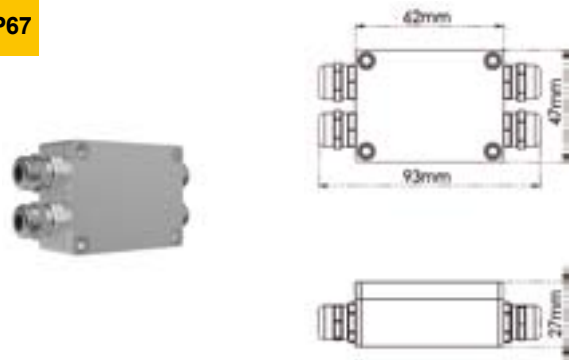
Flat mounting base for spot fixtures. Made of aluminium with anodize coating.



CB-6247

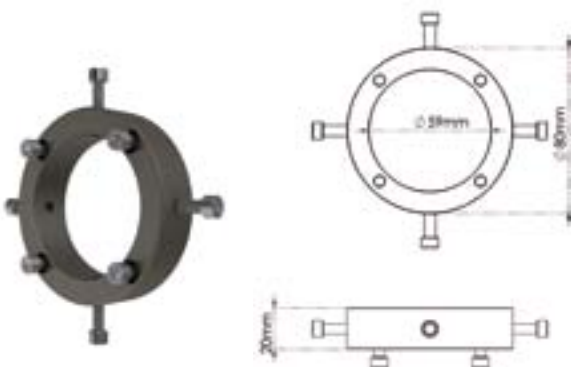
Hermetically sealed IP67 wiring compartment, with up to 4 ports with PG7 (for using 5 - 7mm outer diameter cable).

IP67



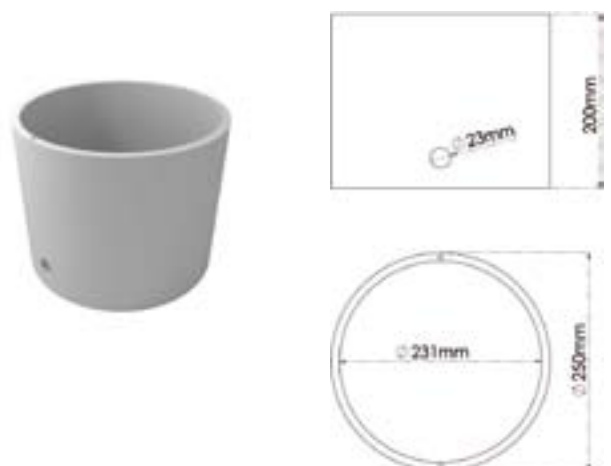
R-8020

Adaptor for fountain nozzle sprays (diameter of 33 to 58mm).



B-212

Cylindrical concrete box, made of aluminum.



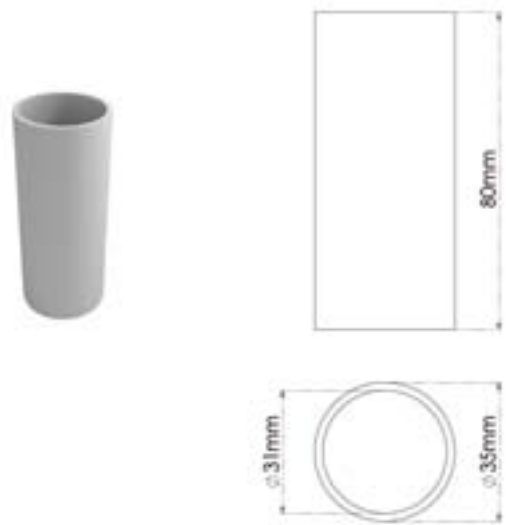
B-26

Cylindrical concrete box, made of aluminum.



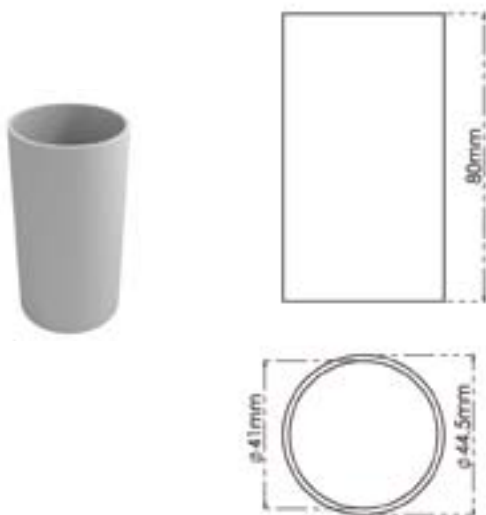
B-30

Cylindrical concrete box, made of aluminum.



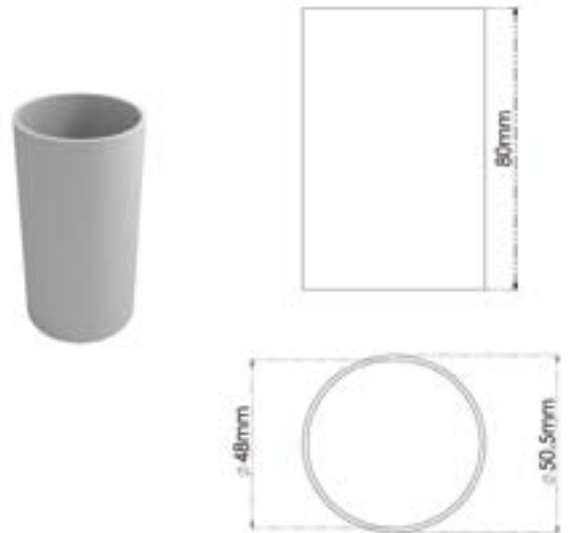
B-40

Cylindrical concrete box, made of aluminum.



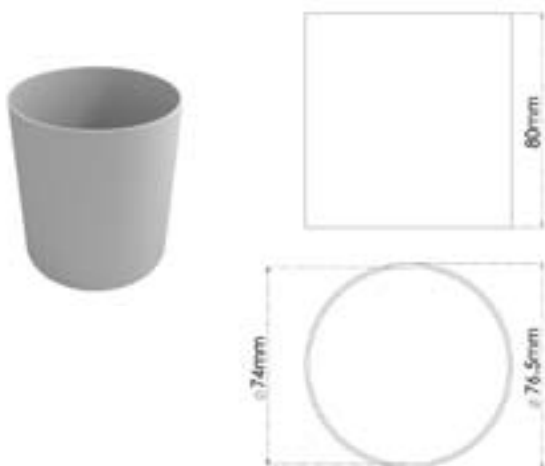
B-47

Cylindrical concrete box, made of aluminum.



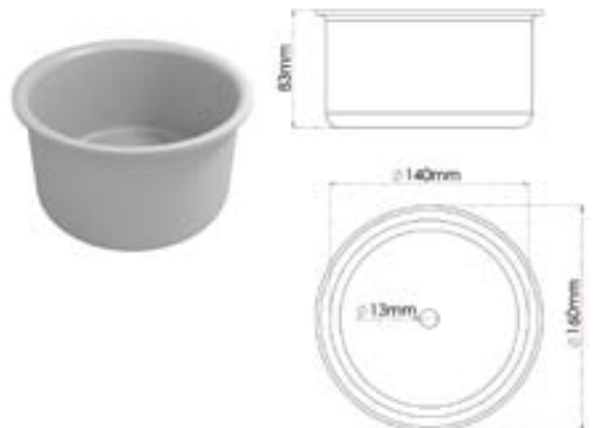
B-73

Cylindrical concrete box, made of aluminum.



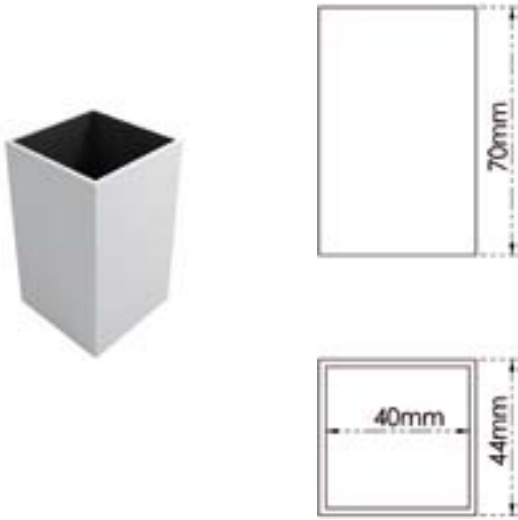
B-136

Cylindrical concrete box, made of aluminum.



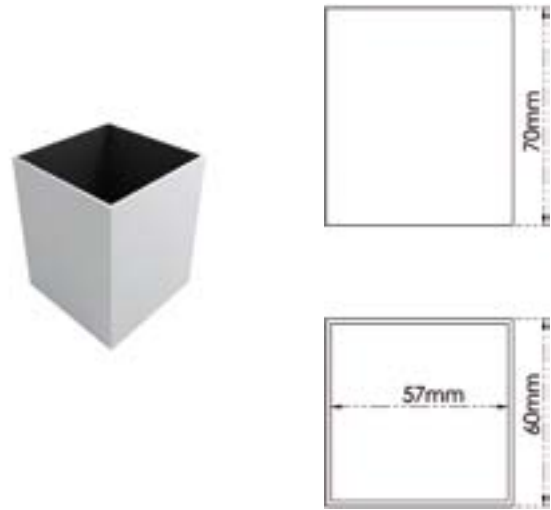
B-5050

Square concrete box, made of aluminum.



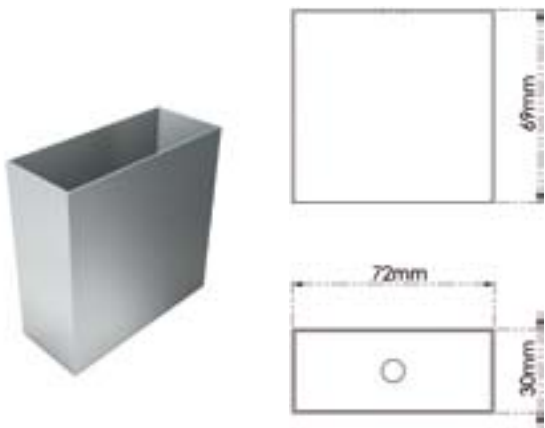
B-7474

Square concrete box, made of aluminum.



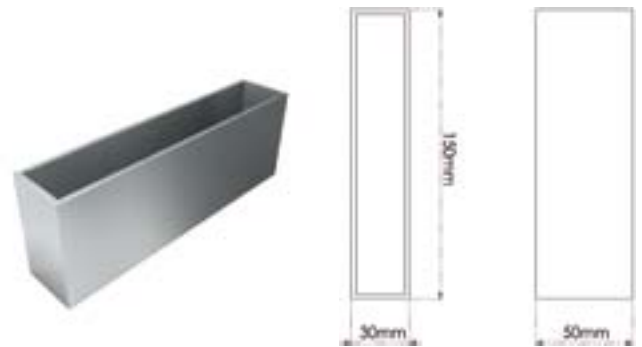
B-7533

Square concrete box, made of galvanized tin.



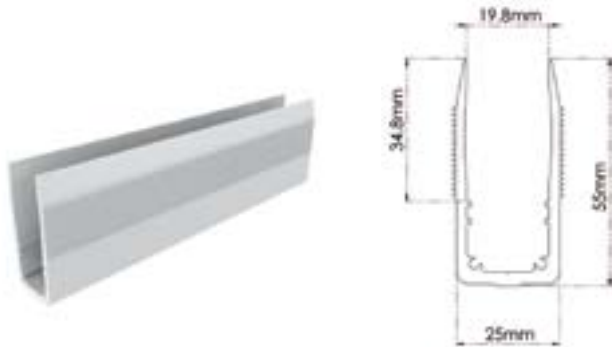
B-18432

Square concrete box, made of aluminum.



B-PR-AC20

Linear concrete profile, made of aluminum.



HC

Honeycomb pattern, black anodized, aluminum cutoff louver to reduce glare.



S-30

Stainless steel spring, used to install on 12mm wide wall and above (plaster or wood)



C-250

Ground mounting spike with anti-rotation blades. Made of stainless steel 316.

